

NOARK®

Catalog

B2 series UL Miniature Circuit Breaker

B2R



Company Overview

About us

NOARK Electric is a global manufacturer of low-voltage electrical components for industrial applications. We specialize in motor controls and circuit protection for original equipment manufacturers. Our mission is to provide customers with the highest quality products at an exceptional value and back them with world-class service and support. Every NOARK product is tested and certified to the highest industry standards and covered by our exclusive five-year limited warranty.

Research and Development

The entire portfolio of high-quality NOARK products is designed for manufacturing and assembly (DFMA). Each component is developed in-house by our engineering team to meet the strictest standards and performance requirements. This dedication to excellence has led to the development of patented technology found in many of our products.

World-class Manufacturing

After being thoroughly tested, approved and certified – each NOARK product is sent into production at our state-of-the-art manufacturing facilities. This allows us to maintain strict quality control standards throughout the manufacturing process. In addition, NOARK Electric adheres to a policy of environmental protection and sustainability.

North American Distribution

NOARK's primary distribution center is located in Pomona, CA, with the aim of ensuring prompt and reliable deliveries of the entire product range to our customers all over North America. Our supply chain team works closely with our factories and logistics partners to ensure the availability of our products on the North American market and provide logistics services on the level which our customers expect.

NOARK Electric is a wholly subsidiary of the largest electrical manufacturing group in Asia with over 30 thousand employees and sales revenue of \$10 billion USD. We have corporate facilities in Los Angeles, Shanghai and Prague to service the requirements of individual markets and countries.

140+
Countries

300+
Overseas Distributors

20
Overseas Subsidiaries

22
Logistics Centers

3
R & D Centers

10,000,000+
Sq.Ft. Manufacturing Space

30,000+
Employees Worldwide



UL Miniature Circuit Breaker

Table of Contents

1 B2R series Circuit Breakers

Features.....	01
Standard and Certification	01
Product Selection Guide	02
Specifications	03
Wiring Diagram	04
Trip Curve	04
Dimensions	05

UL Miniature Circuit Breaker

Features/Standard and Certification

Description

Noark B2R series circuit breakers are specifically crafted for residential and commercial application, catering to both main and branch circuit protection needs. Their plug-in mounting method offers enhanced safety, simplicity, and convenience. With a compact design of just 1 inch in width per pole, these breakers are versatile, suitable for load centers, lighting panels, and various other applications.

Features

- Rated voltage:120/240Vac; interrupting: 10kA; rated current: 15-30A
- Plug in
- HAVR rated, SWD rated

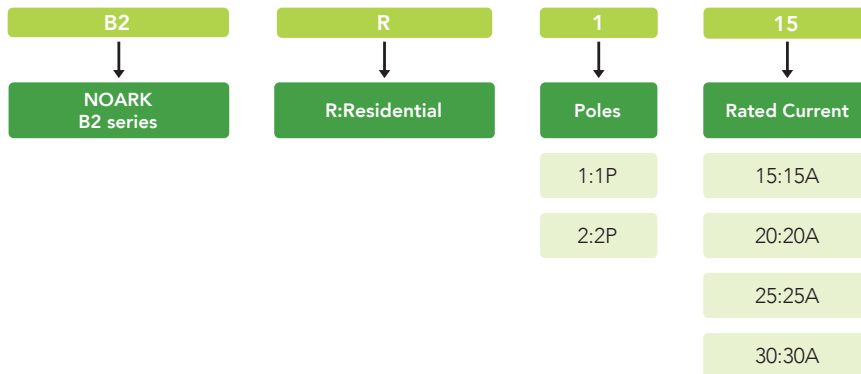
Standard and Certification

- UL 489 Listed (E355392)

UL Miniature Circuit Breaker

Product Selection Guide

Product Selection Guide



Part Number	Product	Description
1002683	B2R115	B2R 1P 15A 10kA 120Vac UL489
1002684	B2R120	B2R 1P 20A 10kA 120Vac UL489
1002685	B2R125	B2R 1P 25A 10kA 120Vac UL489
1002686	B2R130	B2R 1P 30A 10kA 120Vac UL489
1002687	B2R215	B2R 2P 15A 10kA 120/240Vac UL489
1002688	B2R220	B2R 2P 20A 10kA 120/240Vac UL489
1002689	B2R225	B2R 2P 25A 10kA 120/240Vac UL489
1002690	B2R230	B2R 2P 30A 10kA 120/240Vac UL489

UL Miniature Circuit Breaker

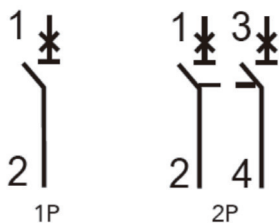
Specifications

	B2R	
Number of Poles	1	2
Standards	UL 489	
Rated Current (A)	15,20,25,30	
Rated Voltage (Vac)	120	120/240
Instantaneous Tripping Type	12~18In	
Inverse Time-Delay Over-Current Release Type	Thermal-Magnetic	
Mounting	Plug in	
Protection Degree	IP 20	
Operation--Electrical (cycles)	6,000	
Operation--Mechanical (cycles)	10,000	
Interrupting (kA)	10	
Altitude ft (m)	Does not exceed 6,561 (2,000)	
Atmospheric Conditions	+20 °C : Humidity ≤ 90%	
	+40 °C : Humidity ≤ 50%	
Operating Temperature Range	-10°C ~ +60°C (De-rating is required except at 40°C)	

UL Miniature Circuit Breaker

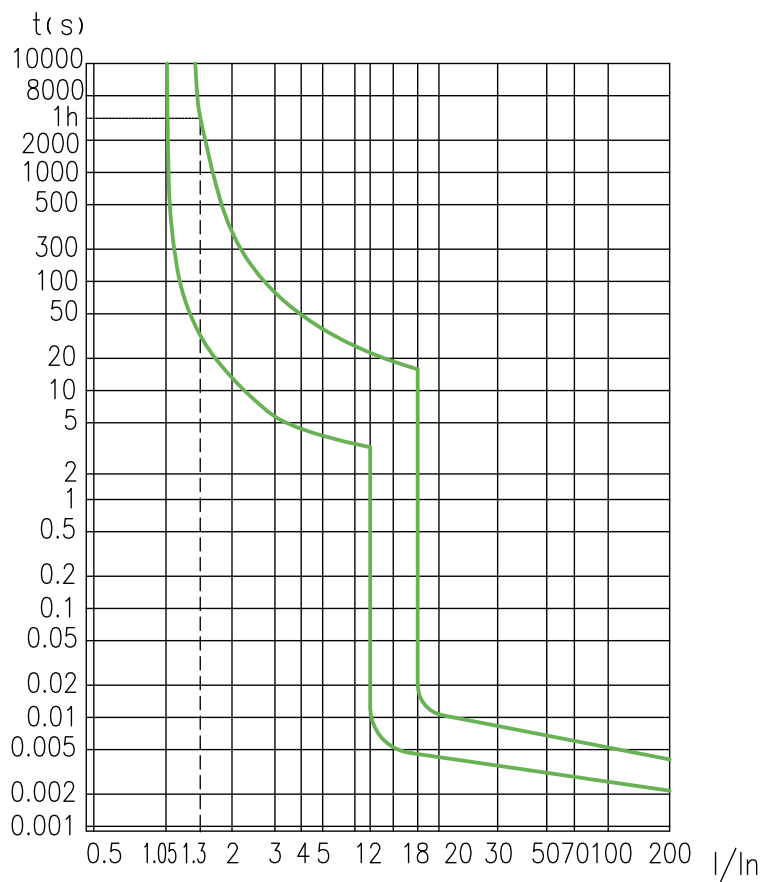
Wiring Diagram/Trip Curve

Wiring Diagram



Trip Curve

12~18In

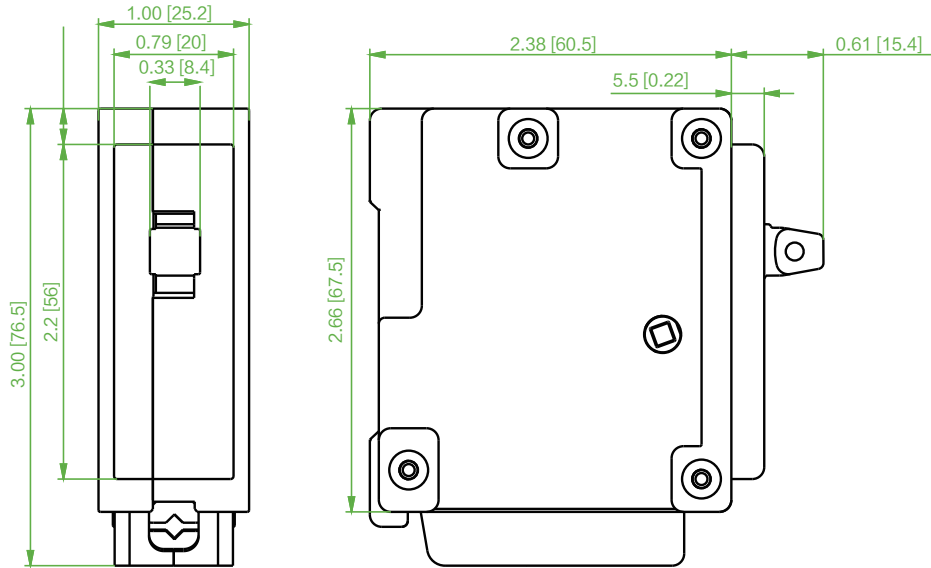


UL Miniature Circuit Breaker

Dimensions

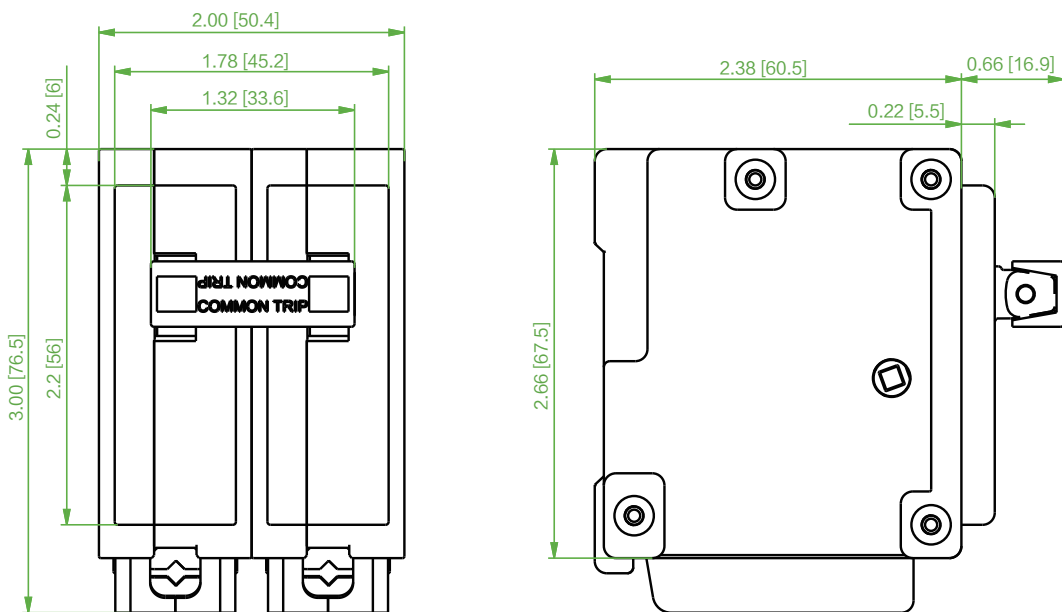
B2R 1P

Unit: in [mm]



B2R 2P

Unit: in [mm]



NOARK®



NOARK Electric North America
(626) 330-7007

na.noark-electric.com • nasales@noark-electric.com



Note: NOARK Electric reserves the right to make technical changes or modify the contents of this document without prior notice. With regard to purchase orders, the agreed particulars shall prevail. NOARK Electric nor any of its affiliates or subsidiaries shall be responsible or liable for potential errors or possible lack of information in this document. NOARK Electric reserves all rights in this document and in the subject matter and illustrations contained therein. Any reproduction, disclosure to third parties or utilization of its contents – in whole or in parts – is forbidden without prior written consent of NOARK Electric.