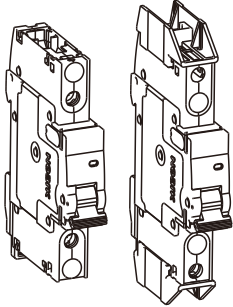


B1D

Miniature Circuit Breaker

1



Installation Instructions

Notice d'installation

Instrucciones de montaje

NOARK

B1D

2



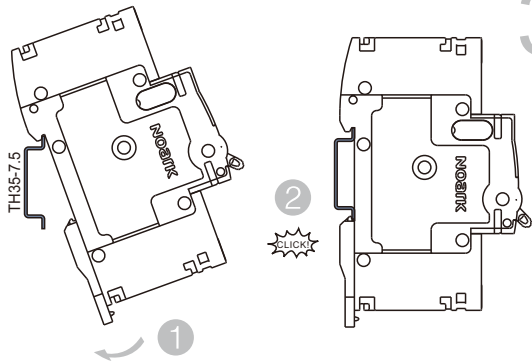
WARNING

DO NOT ATTEMPT TO INSTALL OR PERFORM MAINTENANCE ON EQUIPMENT WHILE IT IS ENERGIZED. DEATH, SEVERE PERSONAL INJURY, OR SUBSTANTIAL PROPERTY DAMAGE CAN RESULT FROM CONTACT WITH ENERGIZED EQUIPMENT. ALWAYS VERIFY THAT NO VOLTAGE IS PRESENT BEFORE PROCEEDING WITH THE TASK, AND ALWAYS FOLLOW GENERALLY ACCEPTED SAFETY PROCEDURES.

NOARK IS NOT LIABLE FOR THE MISAPPLICATION OR IMPROPER INSTALLATION OF ITS PRODUCTS

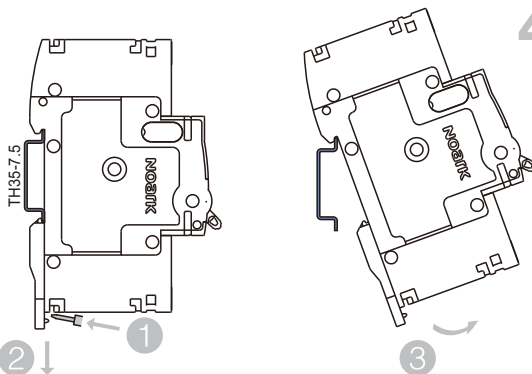
B1D

3



B1D

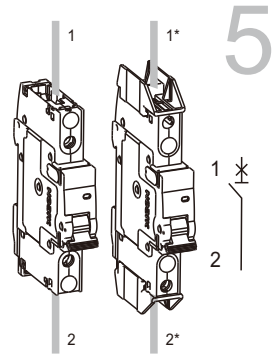
4



B1D

Single-wire connection

	$\oplus \ominus$ Z2
	Wire 1 and 2 18-4 AWG (0.75-25 mm ²)
	Wire Range 18-8 AWG (0.75-10 mm ²)
	31 lb-in (3.5 N·m)

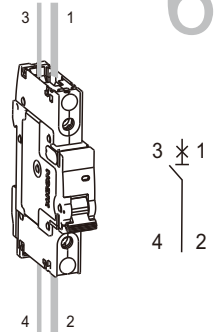


B1D

6

Multiple-wires connection

	$\oplus \ominus$ Z2
	Wire 1 and 2 18-6 AWG (0.75-16 mm ²)
	Wire 3 and 4 18-10 AWG (0.75-6 mm ²)
	31 lb-in (3.5 N·m)

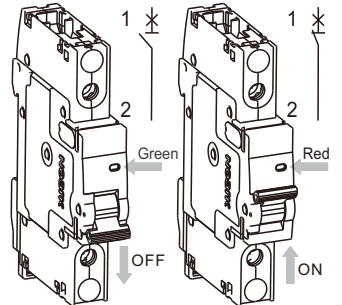


B1D

7

DC Wiring (Non-polarity)

Circuit diagram	Intended System
	Grounded Ungrounded
	Ungrounded Center grounded



NOARK



In order to protect the environment, when the product or its components are scrapped, please dispose of it as industrial waste or hand it over to the recycling station for disaggregation, recycling and reuse according to relevant national regulations.

Printed with environment-friendly paper

Copyright Noark. All Rights Reserved

na.noark-electric.com

11/2023