

AL31N 报警触头

# 使用说明书

0463B195SM

上海诺雅克电气有限公司

2023 年 12 月

设计文件名称	使用说明书	0463B195SM	
产品型号、名称	AL31N 报警触头	版 本	
		共 2 页	第 1 页

技术要求

- “使用说明书”为双面印刷其文字、图案大小的编排以电子档文件为准所涉及颜色如下  
 黑色：PANTONE Process Black C；  
 灰色：符合 VI 手册要求；  
 颜色偏差以相邻色卡为准。
- 符合 Q/NKJ 1600001 《产品有害物质含量与检测规定》

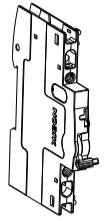
					编 制		
					校 对		
					标 准 化		
①	换版	<u>(2023) 改技 (G) 2157</u>	刘凯	20231229	审 定		
标 记	处 数	更改文件号	签 字	日 期	批 准		

正面

AL31N

Alarm Switch

1



Installation Instructions  
Notice d'installation  
Instrucciones de montaje

The manufacturer assumes no responsibility for unfavourable consequence resulting from the non-application or incorrect application of the instructions provided herein.



AL31N

**WARNING**

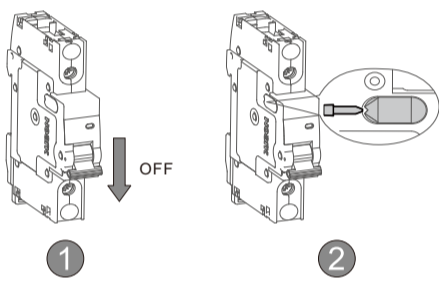
2

DO NOT ATTEMPT TO INSTALL OR PERFORM MAINTENANCE ON EQUIPMENT WHILE IT IS ENERGIZED. DEATH, SEVERE PERSONAL INJURY, OR SUBSTANTIAL PROPERTY DAMAGE CAN RESULT FROM CONTACT WITH ENERGIZED EQUIPMENT. ALWAYS VERIFY THAT NO VOLTAGE IS PRESENT BEFORE PROCEEDING WITH THE TASK, AND ALWAYS FOLLOW GENERALLY ACCEPTED SAFETY PROCEDURES.

NOARK IS NOT LIABLE FOR THE MISAPPLICATION OR IMPROPER INSTALLATION OF IT'S PRODUCTS.

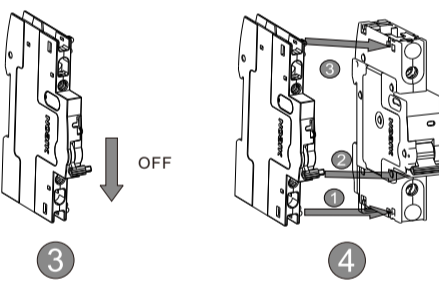
AL31N

3



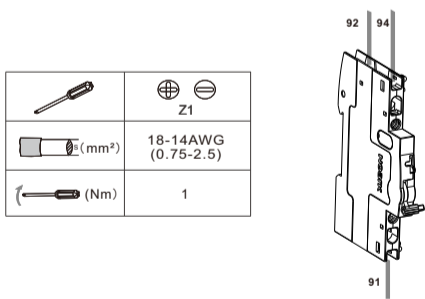
AL31N

4



AL31N

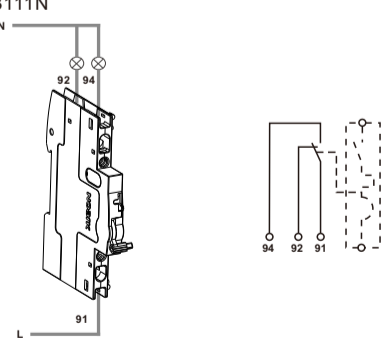
5



AL31N

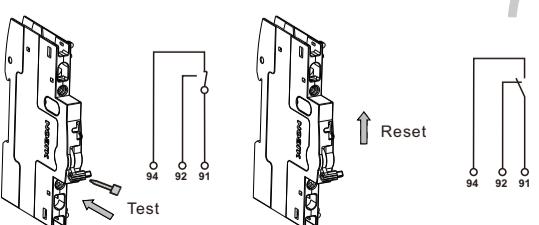
AL3111N

6



AL31N

7

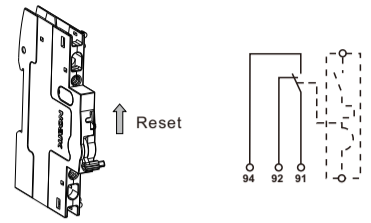


Use slotted screwdriver to plug in 'T' slot to test the product alarm function, After the test, push the reset switch to reset the product.

反面

AL31N

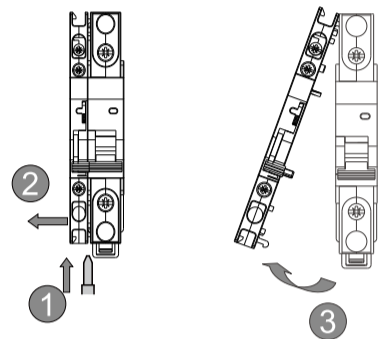
8



After the product alarms, 'Reset' can pushed to reset the function.

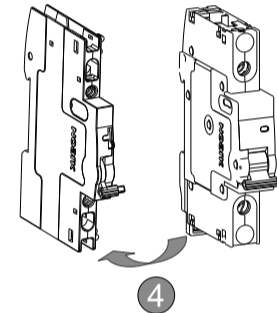
AL31N

9



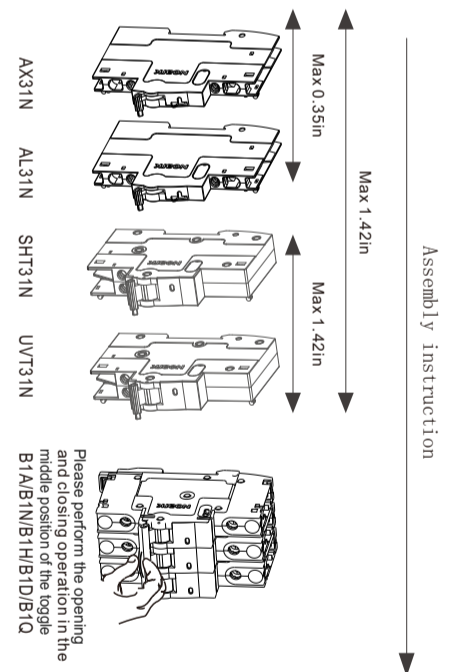
AL31N

10



AL31N

11



NOARK



In order to protect the environment, when the product or its components are scrapped, please dispose of it as industrial waste or hand it over to the recycling station for disaggregation, recycling and reuse according to relevant national regulations.

Printed with environment-friendly paper  
Copyright Noark. All Rights Reserved  
na.noark-electric.com  
01/2024