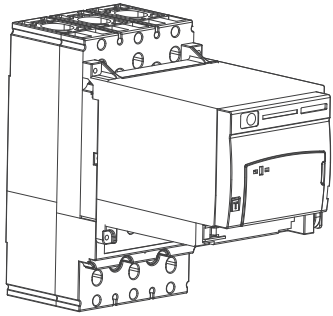


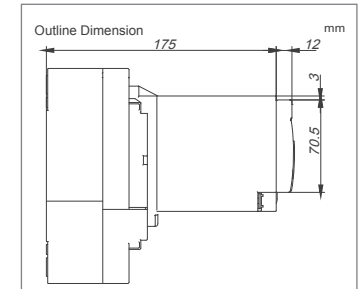
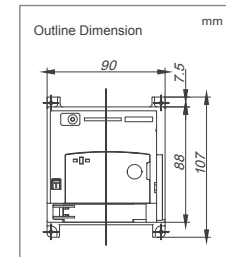
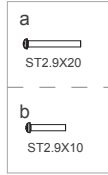
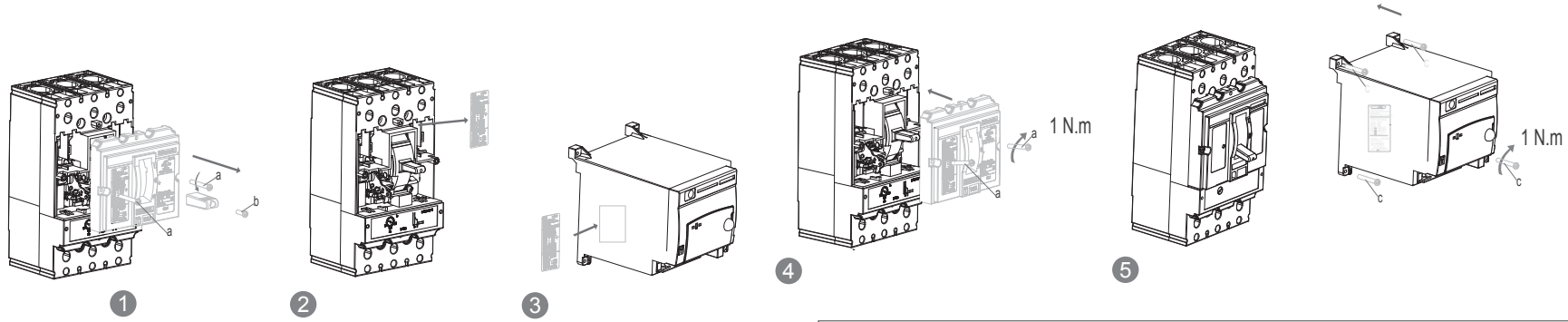
MOD21N

Motor Mechanism

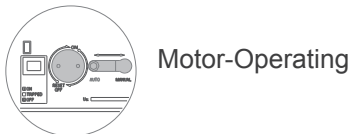
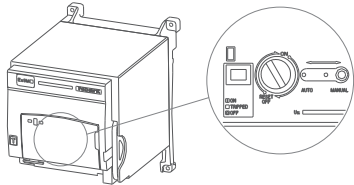


NOARK

A



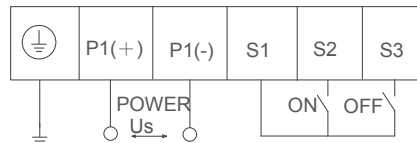
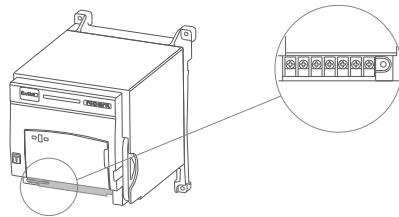
B



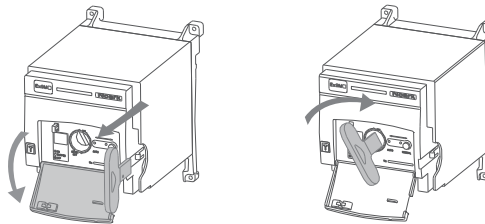
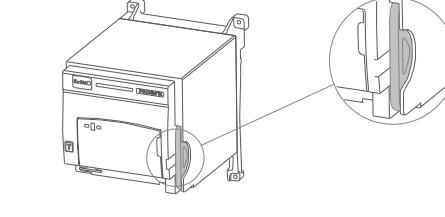
Motor-Operating

Hand-Operating

C



D



E

