



## NXU-I+II Low-voltage Surge Arrester

### 1. Compliant standards

IEC/EN 61643-11

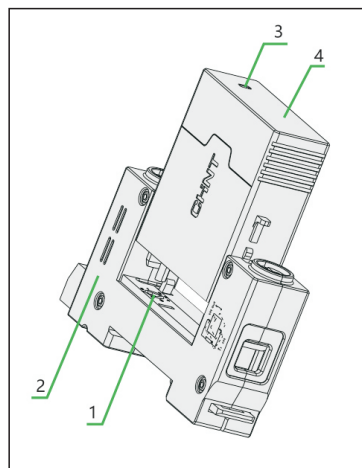
### 2. Compliant certification

CE

### 3. Major function

Protect electric system and on-loading electrical apparatus from thunder and instantaneous over-voltage

- 3.1 The product is composed of two independent components: removable protective module 4 and base 2;
- 3.2 When the product is damaged, the part 3 will indicate; please replace the removable protective module 4 at once and there is no need to cutoff the circuits;
- 3.3 The part 1 is for maximum continuous operational voltage indication as well as avoiding replacement with wrong module.

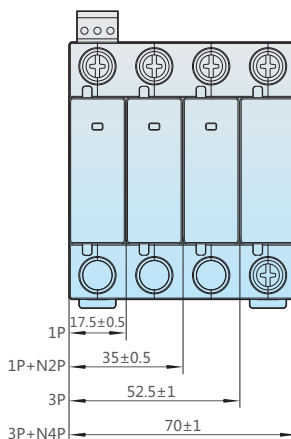
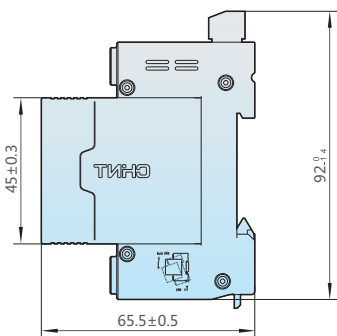




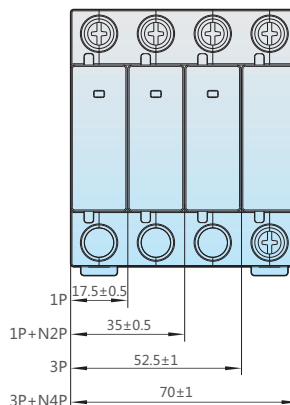
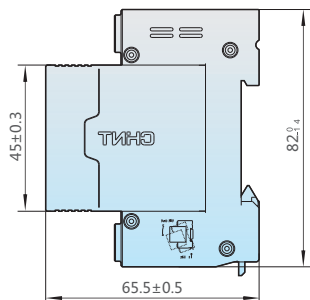
### 4. Technical parameters

Standard	IEC/EN 61643-11								
Poles	1P	2P	3P	4P	1P+N		3P+N		
Protection mode	L-PE L-N	L-PE N-PE	L-PE	L-PE N-PE	L-N	N-PE	L-N	N-PE	
<b>Electrical features</b>									
Class	I, II								
Frequency (Hz)	50/60								
Maximum continuous operational voltage (V~)	275, 385				255	275, 385		255	
Maximum impulse current (10/350µs) I <sub>imp</sub> (kA)	12.5				25	12.5	50		
Nominal discharge current (8/20µs) I <sub>n</sub> (kA)	25				30	25	50		
Maximum discharge current (8/20µs) I <sub>max</sub> (kA)	50				40	50	50		
Level of protection U <sub>p</sub> (kV)	1.5(for 275V), 1.8(for 385V)				1.5	1.5(275V), 1.8(385V)		1.5	
<b>Remote indication contact (with or without)</b>									
Working indication/Fault indication	Green/Red					Green/Red			
Remote connection capacity	Maximum 1.5mm <sup>2</sup>					Maximum 1.5mm <sup>2</sup>			
Remote contact switch capacity	AC	250V/0.5A					250V/0.5A		
	DC	250V/0.1A;75V/0.5A					250V/0.1A;75V/0.5A		
<b>Installation</b>									
Protection degree	Ip20								
Mounting	On DIN rail EN60715(35mm) by means of fast clip device								
Strip length (mm)	15								
Terminal size (mm <sup>2</sup> )	16								
Screw dimension	M5								
Tightening torque (Nm)	2.0~3.0								
Ambient temperature (°C)	-40~+70								
Altitude (m)	≤2000								
Relative humidity	≤95% at +20°C ; ≤50% at +40°C								
Mounting Environment	The place where there is no significant vibration and shock								

### 5. Overall and mounting dimensions (mm)



NXU-I+ II/F with remote control part



NXU-I+ II without remote control part